

SenM Advanced -100kg

Competitors/Compétiteurs A

#	Name/Nom	Club	1	2	3	W/G	Pts	Pos
1	CHUKALOVSKIY Nikolay	Midtown	XX			0	0	3
2	TYSHCHENKO Ivan	Tokugawa	7	XX	5	2	12	1
3	HOLOZET Ra'imar	Polynesie Francaise	7		XX	1	7	2

Pool A

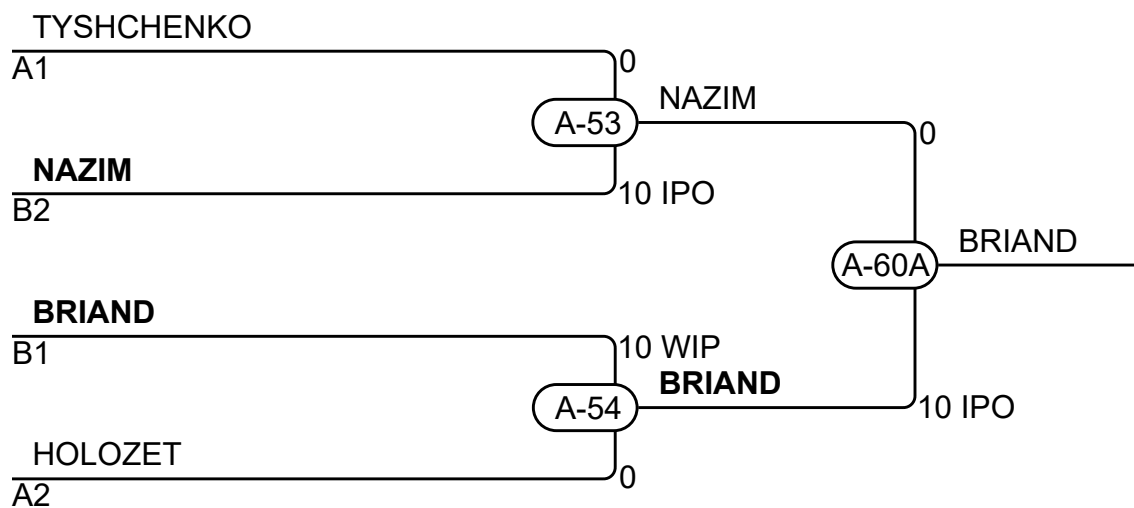
Match	White/Blanc			Blue/Bleu	Res/Rés	Tim/Tmp	Code
A-21	CHUKALOVSKIY Nikolay	1	2	TYSHCHENKO Ivan	0 - 7	4:00	WAZ
A-36	CHUKALOVSKIY Nikolay	1	3	HOLOZET Ra'imar	0 - 7	5:32	GSW
A-47	TYSHCHENKO Ivan	2	3	HOLOZET Ra'imar	5 - 0	4:00	YUK

Competitors/Compétiteurs B

#	Name/Nom	Club	4	5	6	W/G	Pts	Pos
4	NAZIM Safarov	St. Albert Tokai	XX	10		1	10	2
5	GAUDET Ethan	Tritton		XX		0	0	3
6	BRIAND Alexandre	BP	10	10	XX	2	20	1

Pool B

Match	White/Blanc			Blue/Bleu	Res/Rés	Tim/Tmp	Code
A-28	NAZIM Safarov	4	5	GAUDET Ethan	10 - 0	0:37	IPO
A-37	NAZIM Safarov	4	6	BRIAND Alexandre	0 - 10	3:00	IPO
A-48	GAUDET Ethan	5	6	BRIAND Alexandre	0 - 10	1:52	IPO



Results/Résultats

Pos	Name/Nom
1	BRIAND Alexandre, BP
2	NAZIM Safarov, St. Albert Tokai
3	TYSHCHENKO Ivan, Tokugawa
3	HOLOZET Ra'imar, Polynesie Francaise