

SenM Advanced +100kg

Competitors/Compétiteurs A

#	Name/Nom	Club	1	2	3	W/G	Pts	Pos
1	ZAZELENCHUK Jason	Northern Capital	XX			0	0	3
2	GUILLOUX Natimoana	Polynesie Francaise	10	XX		1	10	2
3	HODGSON Chris	Saskatoon	10	10	XX	2	20	1

Pool A

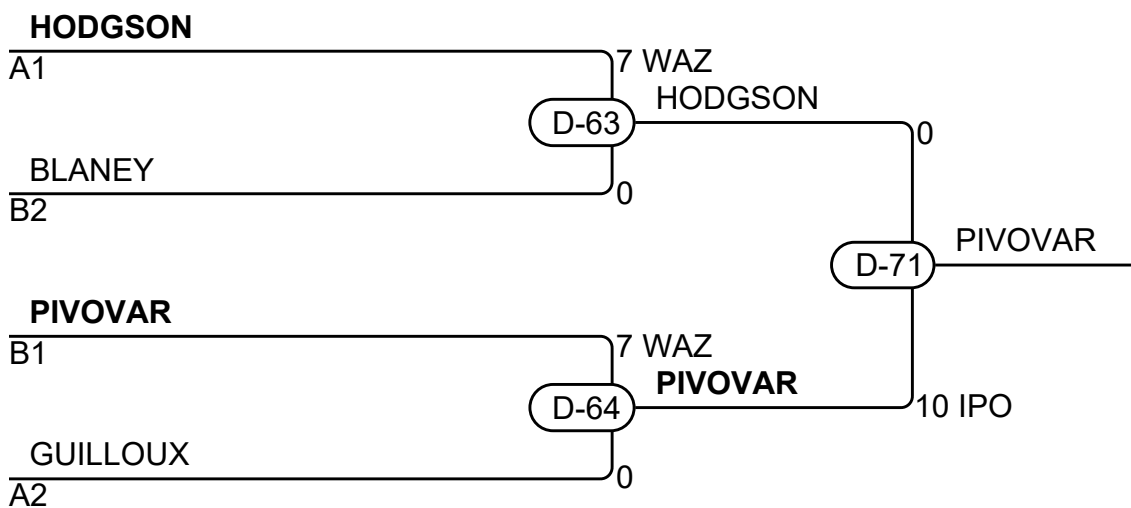
Match	White/Blanc			Blue/Bleu	Res/Rés	Tim/Tmp	Code
D-36	ZAZELENCHUK Jason	1	2	GUILLOUX Natimoana	0 - 10	1:29	IPO
D-47	ZAZELENCHUK Jason	1	3	HODGSON Chris	0 - 10	0:45	WIP
D-55	GUILLOUX Natimoana	2	3	HODGSON Chris	0 - 10	2:23	IPO

Competitors/Compétiteurs B

#	Name/Nom	Club	4	5	6	W/G	Pts	Pos
4	BLANEY Andrew	Fredericton	XX		10	1	10	2
5	PIVOVAR Mark	Vanguard	5	XX	10	2	15	1
6	ROSKEWICH Trevor	Invermere			XX	0	0	3

Pool B

Match	White/Blanc			Blue/Bleu	Res/Rés	Tim/Tmp	Code
D-37	BLANEY Andrew	4	5	PIVOVAR Mark	0 - 5	4:16	GSY
D-48	BLANEY Andrew	4	6	ROSKEWICH Trevor	10 - 0	0:38	IPO
D-56	PIVOVAR Mark	5	6	ROSKEWICH Trevor	10 - 0	0:53	WIP



Results/Résultats

Pos	Name/Nom
1	PIVOVAR Mark, Vanguard
2	HODGSON Chris, Saskatoon
3	BLANEY Andrew, Fredericton
3	GUILLOUX Natimoana, Polynesie Francaise