

# VetM2-M4 Advanced -73kg

## Competitors A

#	Name	Grade	Club	1	2	3	Wins	Pts	Pos
1	Matthew SKELDON	1K (Br)	Saskatoon	XX			0	0	3
2	Andrew KRICHKOWSKI	1K (Br)	BP	10	XX		1	10	2
3	Kyle O'BRIEN	1D	Lethbridge	10	10	XX	2	20	1

## Matches A

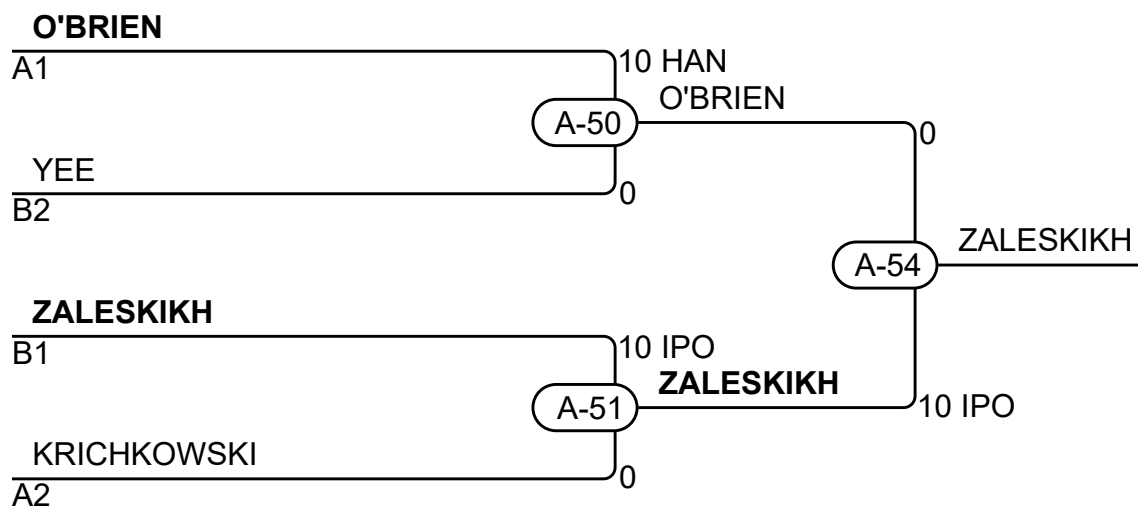
Match	White	Blue	Result	Time	Code
A-34	Matthew SKELDON 1 2	Andrew KRICHKOWSKI	0 - 10	0:59	IPO
A-40	Matthew SKELDON 1 3	Kyle O'BRIEN	0 - 10	0:34	WIP
A-46	Andrew KRICHKOWSKI 2 3	Kyle O'BRIEN	0 - 10	1:20	IPO

## Competitors B

#	Name	Grade	Club	4	5	6	Wins	Pts	Pos
4	Ivan ZALESKIKH	2D	St. Albert Tokai	XX	10	10	2	20	1
5	Michael YEE	1D	Regina Y		XX	10	1	10	2
6	Ayman ETBAIL	1K (Br)	Kodokwai			XX	0	0	3

## Matches B

Match	White	Blue	Result	Time	Code
A-35	Ivan ZALESKIKH 4 5	Michael YEE	10 - 0	0:05	IPO
A-41	Ivan ZALESKIKH 4 6	Ayman ETBAIL	10 - 0	0:34	WIP
A-47	Michael YEE 5 6	Ayman ETBAIL	10 - 0	0:30	IPO



## Results

Pos	Name
1	Ivan ZALESKIKH, St. Albert Tokai
2	Kyle O'BRIEN, Lethbridge
3	Michael YEE, Regina Y
3	Andrew KRICHKOWSKI, BP