

U21M -100kg 2k+

Compétiteurs/Competitors A

#	Nom/Name	Grade	Club	1	2	3	4	G/W	Pts	Pos
1	DROGHINSCHII Grigorii	2k	QC/Torii	XX				0	0	4
2	SILEM Mohamed Amine	1d	QC/Metropolitain	10	XX	10	10	3	30	1
3	GAUDET Ethan	1k	PE/Toshidokan	10		XX		1	10	3
4	KHALFON Eden	1k	ON/Taifu	5		10	XX	2	15	2

Pool A

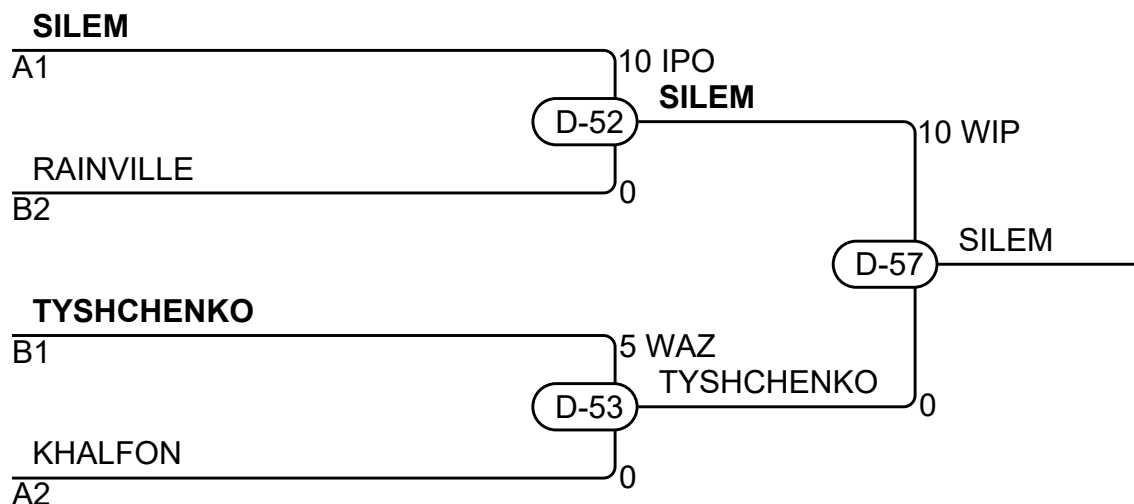
Match	Blanc/White	Bleu/Blue	Rés/Res	Tmp/Tim	Code
D-19	DROGHINSCHII Grigorii 1 2	SILEM Mohamed Amine	0 - 10	1:33	WIP
D-20	GAUDET Ethan 3 4	KHALFON Eden	0 - 10	4:10	HAN
D-32	DROGHINSCHII Grigorii 1 3	GAUDET Ethan	0 - 10	0:48	WIP
D-33	SILEM Mohamed Amine 2 4	KHALFON Eden	10 - 0	1:27	WIP
D-43	DROGHINSCHII Grigorii 1 4	KHALFON Eden	0 - 5	4:00	WAZ
D-44	SILEM Mohamed Amine 2 3	GAUDET Ethan	10 - 0	0:38	IPO

Compétiteurs/Competitors B

#	Nom/Name	Grade	Club	5	6	7	G/W	Pts	Pos
5	RAHMANI Mossaab	2k	QC/Torii	XX			0	0	3
6	RAINVILLE Matys	1d	QC/Drummondville	10	XX		1	10	2
7	TYSHCHENKO Ivan	1k	AB/Tokugawa	10	10	XX	2	20	1

Pool B

Match	Blanc/White	Bleu/Blue	Rés/Res	Tmp/Tim	Code
D-21	RAHMANI Mossaab 5 6	RAINVILLE Matys	0 - 10	0:34	IPO
D-34	RAHMANI Mossaab 5 7	TYSHCHENKO Ivan	0 - 10	2:15	IPO
D-45	RAINVILLE Matys 6 7	TYSHCHENKO Ivan	0 - 10	4:00	WIP



Résultats/Results

Pos	Nom/Name
1	SILEM Mohamed Amine, QC/Metropolitain
2	TYSHCHENKO Ivan, AB/Tokugawa
3	RAINVILLE Matys, QC/Drummondville
3	KHALFON Eden, ON/Taifu