

International Judo Championship-Day 3 March 9, 2025 WEM Seniors

Competitors: 6

Competitors A

#	Name	Grade	Club	1	2	3	Wins	Pts	Pos
1	Mathis SCHAFFER	2K (Bl)	AB/Medicine Hat	XX			0	0	3
2	Ian KIM	3K (G)	BC/Kizuna	7	XX		1	7	2
3	Hawkins JACOBSON	2K (Bl)	SK/Control	10	10	XX	2	20	1

Matches A

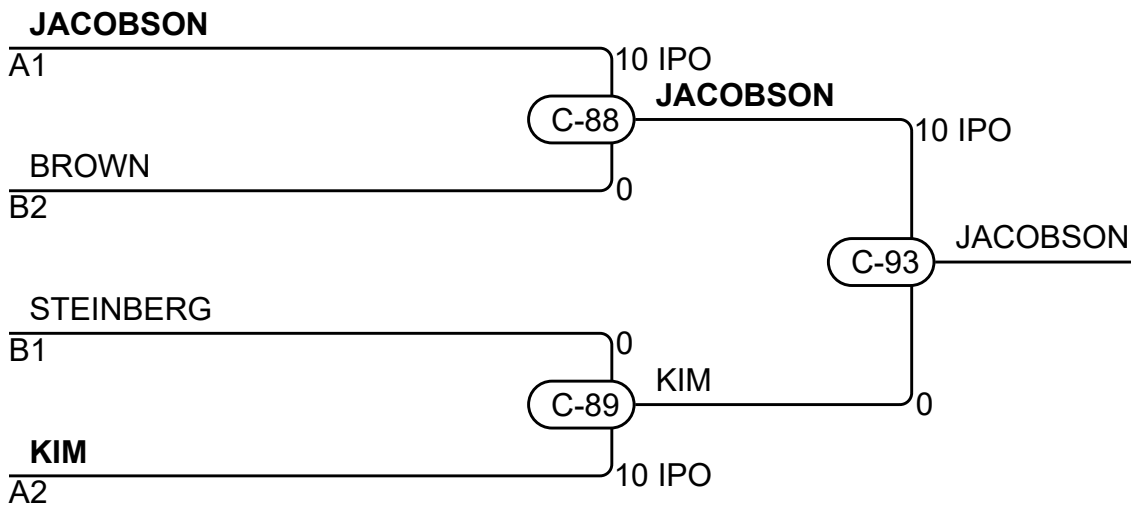
Match	White	Blue	Result	Time	Code
C-68	Mathis SCHAFFER 1 2	Ian KIM	0 - 7	4:00	WAZ
C-77	Mathis SCHAFFER 1 3	Hawkins JACOBSON	0 - 10	0:22	IPO
C-82	Ian KIM 2 3	Hawkins JACOBSON	0 - 10	0:26	IPO

Competitors B

#	Name	Grade	Club	4	5	6	Wins	Pts	Pos
4	Max STEINBERG	3K (G)	BC/Kelowna	XX	10	10	2	20	1
5	Ethan BROWN	2K (Bl)	AB/Airdrie Eidokan		XX	10	1	10	2
6	Nurlan RZAYEV	3K (G)	AB/U of Alberta			XX	0	0	3

Matches B

Match	White	Blue	Result	Time	Code
C-69	Max STEINBERG 4 5	Ethan BROWN	10 - 0	2:10	WIP
C-78	Max STEINBERG 4 6	Nurlan RZAYEV	10 - 0	1:39	IPO
C-83	Ethan BROWN 5 6	Nurlan RZAYEV	10 - 0	1:21	IPO



Results

Pos	Name
1	Hawkins JACOBSON, SK/Control
2	Ian KIM, BC/Kizuna
3	Ethan BROWN, AB/Airdrie Eidokan
3	Max STEINBERG, BC/Kelowna